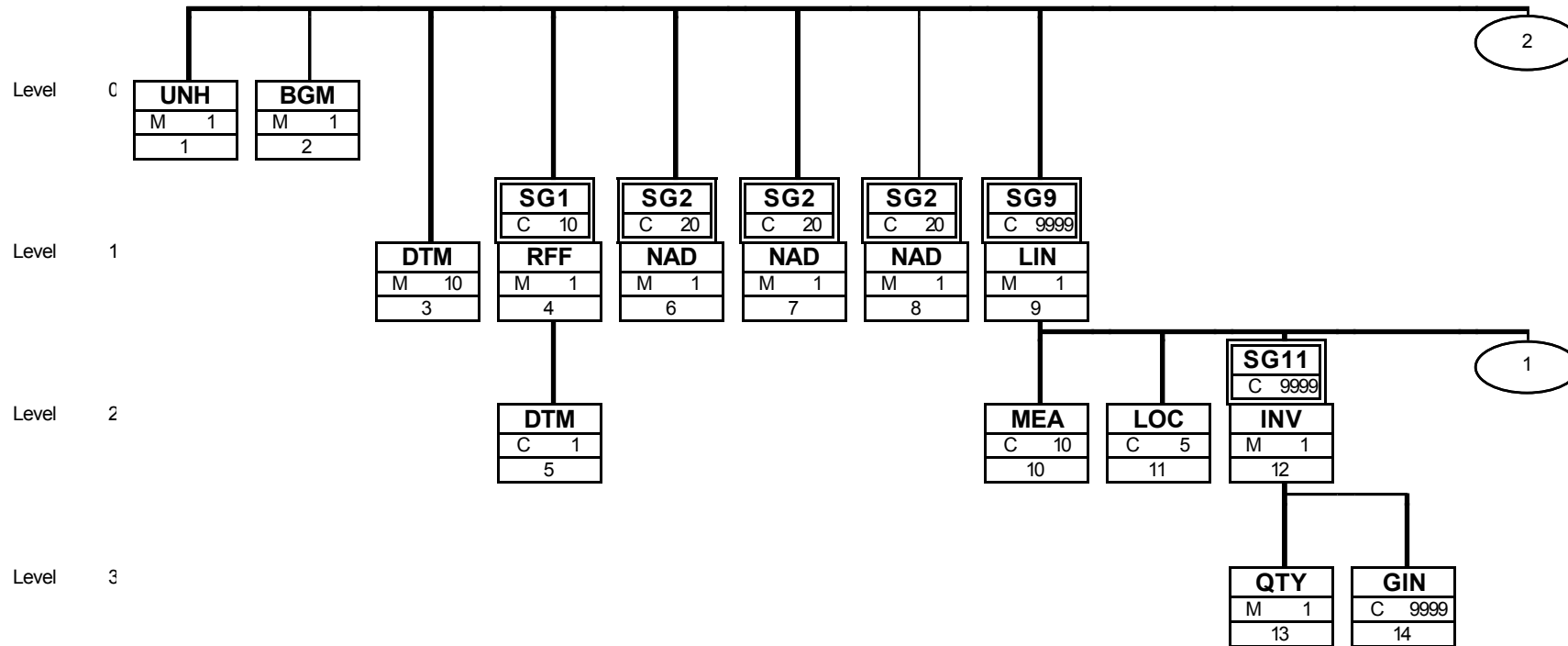


VMI Stock balance and goods movement

INVRPT



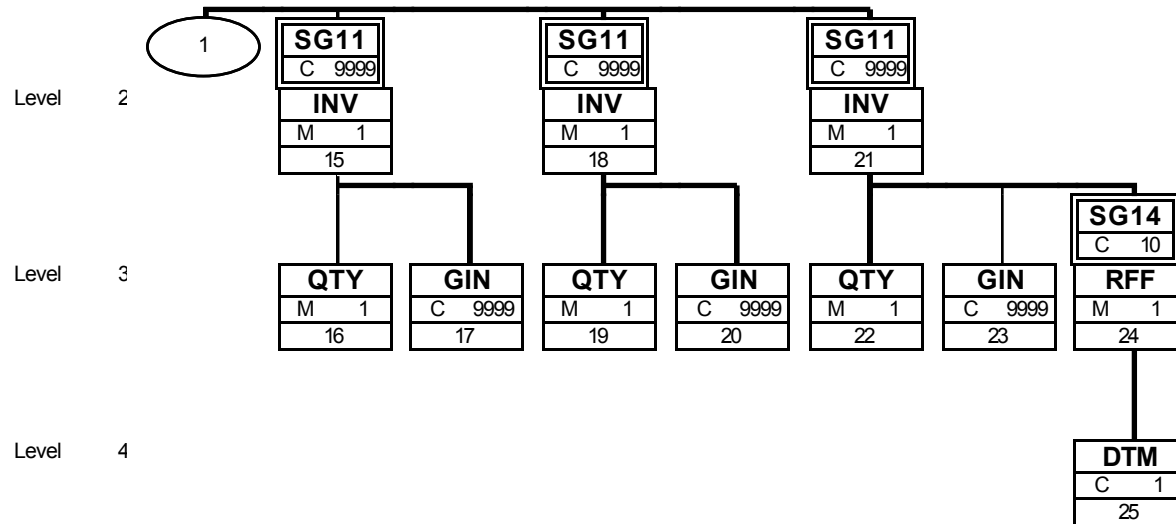
This is a branching diagram. Every variant of a segment or segment group described in the MIG appears exactly on times. The letters M and R characterise a 'mandatory' application status, whereas O means optional. The letter D is used for 'dependent' and the dependency will be described in comments. The number on the right-hand side explains the maximum

occurrence of this segment or segment group. The undermost number is the consecutive number of the segment within the guide.

VMI Stock balance and goods movement

KOSTAL

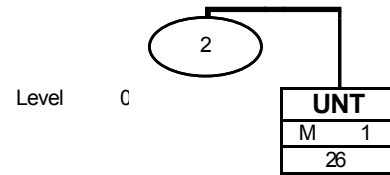
INVRPT



This is a branching diagram. Every variant of a segment or segment group described in the MIG appears exactly on times. The letters M and R characterise a 'mandatory' application status, whereas O means optional. The letter D is used for 'dependent' and the dependency will be described in comments. The number on the right-hand side explains the maximum

occurrence of this segment or segment group. The undermost number is the consecutive number of the segment within the guide.

INVRPT



This is a branching diagram. Every variant of a segment or segment group described in the MIG appears exactly on times. The letters M and R characterise a 'mandatory' application status, whereas O means optional. The letter D is used for 'dependent' and the dependency will be described in comments. The number on the right-hand side explains the maximum

occurrence of this segment or segment group. The undermost number is the consecutive number of the segment within the guide.

INVRPT

Segment:

UNH

Seq. No.: 1
Status: M

Level: 0
Max. Occ.: 1

MESSAGE HEADER

Name: MESSAGE HEADER

Description of segment:

EDIFACT			Application		
Tag	Name	St Format	St	Example	Use / Comments
0062	Message reference number	M an..14	M	+1	
S009	MESSAGE IDENTIFIER	M	M		
0065	Message type identifier	M an..6	M	+INVRPT	
0052	Message type version number	M an..3	M	:D	
0054	Message type release number	M an..3	M	:97A	
0051	Controlling agency	M an..2	M	:UN'	
0057	Association assigned code	C an..6	N		
0068	Common access reference	C an..35	N		
S010	STATUS OF THE TRANSFER	C	N		
0070	Sequence message transfer number	M n..2	N		
0073	First/last sequence message transfer indication	C a1	N		

Comment:

Example:

UNH+1+INVRPT:D:97A:UN'

INVRPT

Segment:

BGM

Seq. No.: 2
Status: M

Level: 0
Max. Occ.: 1

BEGINNING OF MESSAGE

Name: **BEGINNING OF MESSAGE**

Description of segment:

EDIFACT			Application		
Tag	Name	St Format	St	Example	Use / Comments
C002	DOCUMENT/MESSAGE NAME	C	C		Inventory Report
1001	Document/message name, coded	C an..3	C	+35	
1131	Code list qualifier	C an..3	N		
3055	Code list responsible agency, coded	C an..3	N		
1000	Document/message name	C an..35	N		
C106	DOCUMENT/MESSAGE IDENTIFICATION	C	C		Identification of the Inventory Report
1004	Document/message number	C an..35	C	+1234	
1056	Version	C an..9	N		
1060	Revision number	C an..6	N		
1225	Message function, coded	C an..3	C	+9'	
4343	Response type, coded	C an..3	N		

Comment:

Example:

BGM+35+1234+9'

INVRPT

Segment: **DTM** Seq. No.: 3 Level: 1 DATE/TIME/PERIOD
 Status: M Max. Occ.: 10

Name: DATE/TIME/PERIOD

Description of segment:

EDIFACT			Application		
Tag	Name	St Format	St	Example	Use / Comments
C507	DATE/TIME/PERIOD	M	M		
2005	Date/time/period qualifier	M an..3	M	+366	Inventory Report Date
2380	Date/time/period	C an..35	C	:20040524	
2379	Date/time/period format qualifier	C an..3	C	:102'	

Comment:

Example:
 DTM+366:20040524:102'

INVRPT

Group: **SG1** Status: C Max. Occ.: 10 RFF-DTM

Segment: **RFF** Seq. No.: 4 Level: 1 REFERENCE
 Status: M Max. Occ.: 1

Name: REFERENCE

Description of segment:

EDIFACT			Application		
Tag	Name	St Format	St	Example	Use / Comments
C506	REFERENCE	M	M		
1153	Reference qualifier	M an..3	M	+AAK	
1154	Reference number	C an..35	C	:12345678'	Delivery note number
1156	Line number	C an..6	N		
4000	Reference version number	C an..35	N		

Comment:

Example:

RFF+AAK:12345678'

INVRPT

Group: **SG1** Status: C Max. Occ.: 10 RFF-DTM

Segment: **DTM** Seq. No.: 5 Level: 2 DATE/TIME/PERIOD
 Status: C Max. Occ.: 1

Name: DATE/TIME/PERIOD

Description of segment:

EDIFACT			Application		
Tag	Name	St Format	St	Example	Use / Comments
C507	DATE/TIME/PERIOD	M	M		
2005	Date/time/period qualifier	M an..3	M	+179	
2380	Date/time/period	C an..35	C	:20040520	
2379	Date/time/period format qualifier	C an..3	C	:102'	

Comment:

Example:

DTM+179:20040520:102'

VMI Stock balance and goods movement

KOSTAL

INVRPT

Group: **SG2** Status: C Max. Occ.: 20 NAD

Segment: **NAD** Seq. No.: 6 Level: 1 NAME AND ADDRESS
 Status: M Max. Occ.: 1

Name: NAME AND ADDRESS

Description of segment:

EDIFACT			Application		
Tag	Name	St Format	St	Example	Use / Comments
3035	Party qualifier	M an..3	M	+BY	Buyer
C082	PARTY IDENTIFICATION DETAILS	C	C		
3039	Party id. identification	M an..35	M	+1	Customer Number
1131	Code list qualifier	C an..3	N	:	
3055	Code list responsible agency, coded	C an..3	C	:91	
C058	NAME AND ADDRESS	C	C		
3124	Name and address line	M an..35	M	+KOSTAL AUTOMOTIV	
3124	Name and address line	C an..35	N		
3124	Name and address line	C an..35	N		
3124	Name and address line	C an..35	N		
3124	Name and address line	C an..35	N		
C080	PARTY NAME	C	N		
3036	Party name	M an..35	N	+	
3036	Party name	C an..35	N		
3036	Party name	C an..35	N		
3036	Party name	C an..35	N		
3036	Party name	C an..35	N		
3045	Party name format, coded	C an..3	N		
C059	STREET	C	N		
3042	Street and number/p.o. box	M an..35	N	+	
3042	Street and number/p.o. box	C an..35	N		
3042	Street and number/p.o. box	C an..35	N		
3042	Street and number/p.o. box	C an..35	N		
3164	City name	C an..35	N	+	
3229	Country sub-entity identification	C an..9	N	+	
3251	Postcode identification	C an..9	C	+DE'	
3207	Country, coded	C an..3	N		

Comment:

Example:

NAD+BY+1::91+KOSTAL AUTOMOTIV+++++DE'

INVRPT

Group: **SG2** Status: C Max. Occ.: 20 NAD

Segment: **NAD** Seq. No.: 7 Level: 1 NAME AND ADDRESS
 Status: M Max. Occ.: 1

Name: NAME AND ADDRESS

Description of segment:

EDIFACT			Application		
Tag	Name	St Format	St	Example	Use / Comments
3035	Party qualifier	M an..3	M	+DP	
C082	PARTY IDENTIFICATION DETAILS	C	C		
3039	Party id. identification	M an..35	M	+0001'	Plant Code
1131	Code list qualifier	C an..3	N		
3055	Code list responsible agency, coded	C an..3	N		
C058	NAME AND ADDRESS	C	N		
3124	Name and address line	M an..35	N		
3124	Name and address line	C an..35	N		
3124	Name and address line	C an..35	N		
3124	Name and address line	C an..35	N		
3124	Name and address line	C an..35	N		
C080	PARTY NAME	C	N		
3036	Party name	M an..35	N		
3036	Party name	C an..35	N		
3036	Party name	C an..35	N		
3036	Party name	C an..35	N		
3036	Party name	C an..35	N		
3045	Party name format, coded	C an..3	N		
C059	STREET	C	N		
3042	Street and number/p.o. box	M an..35	N		
3042	Street and number/p.o. box	C an..35	N		
3042	Street and number/p.o. box	C an..35	N		
3042	Street and number/p.o. box	C an..35	N		
3164	City name	C an..35	N		
3229	Country sub-entity identification	C an..9	N		
3251	Postcode identification	C an..9	N		
3207	Country, coded	C an..3	N		

Comment:

Example:

NAD+DP+0001'

VMI Stock balance and goods movement

KOSTAL

INVRPT

Group: **SG2** Status: C Max. Occ.: 20 NAD

Segment: **NAD** Seq. No.: 8 Level: 1 NAME AND ADDRESS
 Status: M Max. Occ.: 1

Name: NAME AND ADDRESS

Description of segment:

EDIFACT			Application		
Tag	Name	St Format	St	Example	Use / Comments
3035	Party qualifier	M an..3	M	+SE	Seller
C082	PARTY IDENTIFICATION DETAILS	C	C		
3039	Party id. identification	M an..35	M	+888888	Supplier Number
1131	Code list qualifier	C an..3	N	:	
3055	Code list responsible agency, coded	C an..3	C	:92	
C058	NAME AND ADDRESS	C	C		
3124	Name and address line	M an..35	M	+LIEFERANT	
3124	Name and address line	C an..35	N		
3124	Name and address line	C an..35	N		
3124	Name and address line	C an..35	N		
3124	Name and address line	C an..35	N		
C080	PARTY NAME	C	C		
3036	Party name	M an..35	M	+STR	
3036	Party name	C an..35	N		
3036	Party name	C an..35	N		
3036	Party name	C an..35	N		
3036	Party name	C an..35	N		
3045	Party name format, coded	C an..3	N		
C059	STREET	C	C		
3042	Street and number/p.o. box	M an..35	M	+ORT	
3042	Street and number/p.o. box	C an..35	N		
3042	Street and number/p.o. box	C an..35	N		
3042	Street and number/p.o. box	C an..35	N		
3164	City name	C an..35	N	+	
3229	Country sub-entity identification	C an..9	C	+75000	
3251	Postcode identification	C an..9	C	+DE'	
3207	Country, coded	C an..3	N		

Comment:

Example:

NAD+SE+888888::92+LIEFERANT+STR+ORT++75000+DE'

INVRPT

Group: **SG9** Status: C Max. Occ.: 9999 LIN-MEA-LOC-SG11

Segment: **LIN** Seq. No.: 9 Level: 1 **LINE ITEM**
 Status: M Max. Occ.: 1

Name: **LINE ITEM**

Description of segment:

EDIFACT			Application		
Tag	Name	St Format	St	Example	Use / Comments
1082	Line item number	C an..6	C	+10	Customer Article Number
1229	Action request/notification, coded	C an..3	N	+	
C212	ITEM NUMBER IDENTIFICATION	C	C		
7140	Item number	C an..35	C	+10120607 491001	
7143	Item number type, coded	C an..3	C	:BP	
1131	Code list qualifier	C an..3	N	:	
3055	Code list responsible agency, coded	C an..3	C	:92'	
C829	SUB-LINE INFORMATION	C	N		
5495	Sub-line indicator, coded	C an..3	N		
1082	Line item number	C an..6	N		
1222	Configuration level	C n..2	N		
7083	Configuration, coded	C an..3	N		

Comment:

Example:

LIN+10++10120607491001:BP::92'

INVRPT

Group: **SG9** Status: C Max. Occ.: 9999 LIN-MEA-LOC-SG11

Segment: **MEA** Seq. No.: 10 Level: 2 **MEASUREMENTS**
 Status: C Max. Occ.: 10

Name: **MEASUREMENTS**

Description of segment:

EDIFACT			Application		
Tag	Name	St Format	St	Example	Use / Comments
6311	Measurement purpose qualifier	M an..3	M	+SO	„Storage Limitation“, as reach
C502	MEASUREMENT DETAILS	C	N		
6313	Property measured, coded	C an..3	N	+	
6321	Measurement significance, coded	C an..3	N		
6155	Measurement attribute identification	C an..17	N		
6154	Measurement attribute	C an..70	N		
C174	VALUE/RANGE	C	C		
6411	Measure unit qualifier	M an..3	M	+DAY	n days
6314	Measurement value	C an..18	N	:	
6162	Range minimum	C n..18	C	:10	Minimum Reach
6152	Range maximum	C n..18	C	:30'	Maximum Reach
6432	Significant digits	C n..2	N		
7383	Surface/layer indicator, coded	C an..3	N		

Comment:

Example:

MEA+SO++DAY::10:30'

INVRPT

Group: **SG9** Status: C Max. Occ.: 9999 LIN-MEA-LOC-SG11

Segment: **LOC** Seq. No.: 11 Level: 2 PLACE/LOCATION IDENTIFICATION
 Status: C Max. Occ.: 5

Name: PLACE/LOCATION IDENTIFICATION

Description of segment:

EDIFACT			Application		
Tag	Name	St Format	St	Example	Use / Comments
3227	Place/location qualifier	M an..3	M	+11	
C517	LOCATION IDENTIFICATION	C	C		
3225	Place/location identification	C an..25	C	+11570'	Unloading Point
1131	Code list qualifier	C an..3	N		
3055	Code list responsible agency, coded	C an..3	N		
3224	Place/location	C an..70	N		
C519	RELATED LOCATION ONE IDENTIFICATION	C	N		
3223	Related place/location one identification	C an..25	N		
1131	Code list qualifier	C an..3	N		
3055	Code list responsible agency, coded	C an..3	N		
3222	Related place/location one	C an..70	N		
C553	RELATED LOCATION TWO IDENTIFICATION	C	N		
3233	Related place/location two identification	C an..25	N		
1131	Code list qualifier	C an..3	N		
3055	Code list responsible agency, coded	C an..3	N		
3232	Related place/location two	C an..70	N		
5479	Relation, coded	C an..3	N		

Comment:

Example:

LOC+11+11570'

INVRPT

Group: **SG9** Status: C Max. Occ.: 9999 LIN-MEA-LOC-SG11

Group: **SG11** Status: C Max. Occ.: 9999 INV-QTY-GIN

Segment: **GIN** Seq. No.: 14 Level: 3 **GOODS IDENTITY NUMBER**
 Status: C Max. Occ.: 9999

Name: **GOODS IDENTITY NUMBER**

Description of segment:

EDIFACT			Application		
Tag	Name	St Format	St	Example	Use / Comments
7405	Identity number qualifier	M an..3	M	+ML	
C208	IDENTITY NUMBER RANGE	M	M		
7402	Identity number	M an..35	M	+12134567 8'	
7402	Identity number	C an..35	N		
C208	IDENTITY NUMBER RANGE	C	N		
7402	Identity number	M an..35	N		
7402	Identity number	C an..35	N		
C208	IDENTITY NUMBER RANGE	C	N		
7402	Identity number	M an..35	N		
7402	Identity number	C an..35	N		
C208	IDENTITY NUMBER RANGE	C	N		
7402	Identity number	M an..35	N		
7402	Identity number	C an..35	N		
C208	IDENTITY NUMBER RANGE	C	N		
7402	Identity number	M an..35	N		
7402	Identity number	C an..35	N		

Comment:

Example:

GIN+ML+121345678'

INVRPT

Group: **SG9** Status: C Max. Occ.: 9999 LIN-MEA-LOC-SG11

Group: **SG11** Status: C Max. Occ.: 9999 INV-QTY-GIN

Segment: **QTY** Seq. No.: 16 Level: 3 **QUANTITY**
 Status: M Max. Occ.: 1

Name: QUANTITY

Description of segment:

EDIFACT			Application		
Tag	Name	St Format	St	Example	Use / Comments
C186	QUANTITY DETAILS	M	M		
6063	Quantity qualifier	M an..3	M	+89	Quality Control Held
6060	Quantity	M n..15	M	:20	
6411	Measure unit qualifier	C an..3	C	:PCE'	

Comment:

Example:
 QTY+89:20:PCE'

INVRPT

Group: **SG9** Status: C Max. Occ.: 9999 LIN-MEA-LOC-SG11

Group: **SG11** Status: C Max. Occ.: 9999 INV-QTY-GIN

Segment: **GIN** Seq. No.: 17 Level: 3 **GOODS IDENTITY NUMBER**
 Status: C Max. Occ.: 9999

Name: **GOODS IDENTITY NUMBER**

Description of segment:

EDIFACT			Application		
Tag	Name	St Format	St	Example	Use / Comments
7405	Identity number qualifier	M an..3	M	+ML	
C208	IDENTITY NUMBER RANGE	M	M		
7402	Identity number	M an..35	M	+12345679	
7402	Identity number	C an..35	N		
C208	IDENTITY NUMBER RANGE	C	N		
7402	Identity number	M an..35	N		
7402	Identity number	C an..35	N		
C208	IDENTITY NUMBER RANGE	C	N		
7402	Identity number	M an..35	N		
7402	Identity number	C an..35	N		
C208	IDENTITY NUMBER RANGE	C	N		
7402	Identity number	M an..35	N		
7402	Identity number	C an..35	N		
C208	IDENTITY NUMBER RANGE	C	N		
7402	Identity number	M an..35	N		
7402	Identity number	C an..35	N		

Comment:

Example:

GIN+ML+12345679'

INVRPT

Group: **SG9** Status: C Max. Occ.: 9999 LIN-MEA-LOC-SG11

Group: **SG11** Status: C Max. Occ.: 9999 INV-QTY-GIN

Segment: **QTY** Seq. No.: 19 Level: 3 **QUANTITY**
 Status: M Max. Occ.: 1

Name: QUANTITY

Description of segment:

EDIFACT			Application		
Tag	Name	St Format	St	Example	Use / Comments
C186	QUANTITY DETAILS	M	M		
6063	Quantity qualifier	M an..3	M	+96	Quality Control Failed
6060	Quantity	M n..15	M	:20	
6411	Measure unit qualifier	C an..3	C	:PCE'	

Comment:

Example:
 QTY+96:20:PCE'

INVRPT

Group: **SG9** Status: C Max. Occ.: 9999 LIN-MEA-LOC-SG11

Group: **SG11** Status: C Max. Occ.: 9999 INV-QTY-GIN

Segment: **GIN** Seq. No.: 20 Level: 3 **GOODS IDENTITY NUMBER**
 Status: C Max. Occ.: 9999

Name: **GOODS IDENTITY NUMBER**

Description of segment:

EDIFACT			Application		
Tag	Name	St Format	St	Example	Use / Comments
7405	Identity number qualifier	M an..3	M	+ML	
C208	IDENTITY NUMBER RANGE	M	M		
7402	Identity number	M an..35	M	+12345680	
7402	Identity number	C an..35	N		
C208	IDENTITY NUMBER RANGE	C	N		
7402	Identity number	M an..35	N		
7402	Identity number	C an..35	N		
C208	IDENTITY NUMBER RANGE	C	N		
7402	Identity number	M an..35	N		
7402	Identity number	C an..35	N		
C208	IDENTITY NUMBER RANGE	C	N		
7402	Identity number	M an..35	N		
7402	Identity number	C an..35	N		
C208	IDENTITY NUMBER RANGE	C	N		
7402	Identity number	M an..35	N		
7402	Identity number	C an..35	N		

Comment:

Example:

GIN+ML+12345680'

INVRPT

Group: **SG9** Status: C Max. Occ.: 9999 LIN-MEA-LOC-SG11

Group: **SG11** Status: C Max. Occ.: 9999 INV-QTY-GIN-SG14

Segment: **QTY** Seq. No.: 22 Level: 3 **QUANTITY**
 Status: M Max. Occ.: 1

Name: QUANTITY

Description of segment:

EDIFACT			Application		
Tag	Name	St Format	St	Example	Use / Comments
C186	QUANTITY DETAILS	M	M		
6063	Quantity qualifier	M an..3	M	+58	Quantity withdrawn
6060	Quantity	M n..15	M	:10	
6411	Measure unit qualifier	C an..3	C	:PCE'	

Comment:

Example:
 QTY+58:10:PCE'

INVRPT

Group: **SG9** Status: C Max. Occ.: 9999 LIN-MEA-LOC-SG11

Group: **SG11** Status: C Max. Occ.: 9999 INV-QTY-GIN-SG14

Segment: **GIN** Seq. No.: 23 Level: 3 **GOODS IDENTITY NUMBER**
 Status: C Max. Occ.: 9999

Name: **GOODS IDENTITY NUMBER**

Description of segment:

EDIFACT			Application		
Tag	Name	St Format	St	Example	Use / Comments
7405	Identity number qualifier	M an..3	M	+ML	
C208	IDENTITY NUMBER RANGE	M	M		
7402	Identity number	M an..35	M	+12345681	
7402	Identity number	C an..35	N		
C208	IDENTITY NUMBER RANGE	C	N		
7402	Identity number	M an..35	N		
7402	Identity number	C an..35	N		
C208	IDENTITY NUMBER RANGE	C	N		
7402	Identity number	M an..35	N		
7402	Identity number	C an..35	N		
C208	IDENTITY NUMBER RANGE	C	N		
7402	Identity number	M an..35	N		
7402	Identity number	C an..35	N		
C208	IDENTITY NUMBER RANGE	C	N		
7402	Identity number	M an..35	N		
7402	Identity number	C an..35	N		

Comment:

Example:

GIN+ML+12345681'

VMI Stock balance and goods movement

KOSTAL

INVRPT

Segment:

UNT

Seq. No.: 26
Status: M

Level: 0
Max. Occ.: 1

MESSAGE TRAILER

Name: MESSAGE TRAILER

Description of segment:

EDIFACT			Application		
Tag	Name	St Format	St	Example	Use / Comments
0074	Number of segments in a message	M n..6	M	+26	
0062	Message reference number	M an..14	M	+1'	

Comment:

Example:
UNT+26+1'

INVRPT

Example message

No.	Tag	Example
01	UNH	UNH+1+INVRPT:D:97A:UN'
02	BGM	BGM+35+1234+9'
03	DTM	DTM+366:20040524:102'
.	SG1	
04	RFF	RFF+AAK:12345678'
·05	DTM	DTM+179:20040520:102'
.	SG2	
·06	NAD	NAD+BY+1::91+KOSTAL AUTOMOTIV+++++DE'
.	SG2	
·07	NAD	NAD+DP+0001'
.	SG2	
·08	NAD	NAD+SE+888888::92+LIEFERANT+STR+ORT++75000+DE'
.	SG9	
09	LIN	LIN+10++10120607491001:BP::92'
10	MEA	MEA+SO++DAY::10:30'
11	LOC	LOC+11+11570'
.	SG11	
12	INV	INV++040++2'
13	QTY	QTY+17:20:PCE'
·14	GIN	GIN+ML+121345678'
.	SG11	
15	INV	INV++041++2'
16	QTY	QTY+89:20:PCE'
·17	GIN	GIN+ML+12345679'
.	SG11	
18	INV	INV++042++2'
19	QTY	QTY+96:20:PCE'
·20	GIN	GIN+ML+12345680'
.	SG11	
21	INV	INV+1++2'
22	QTY	QTY+58:10:PCE'
23	GIN	GIN+ML+12345681'
.	SG14	

INVRPT

24	RFF	RFF+ALO:5012345'
25	DTM	DTM+179:20040520:102'
26	UNT	UNT+26+1'