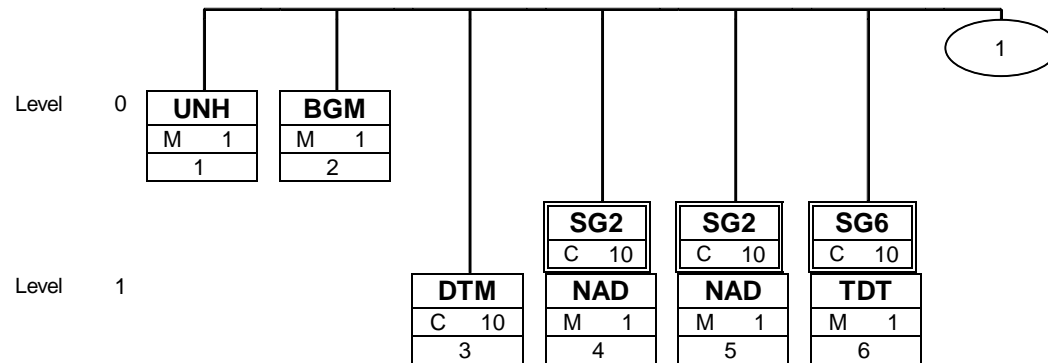
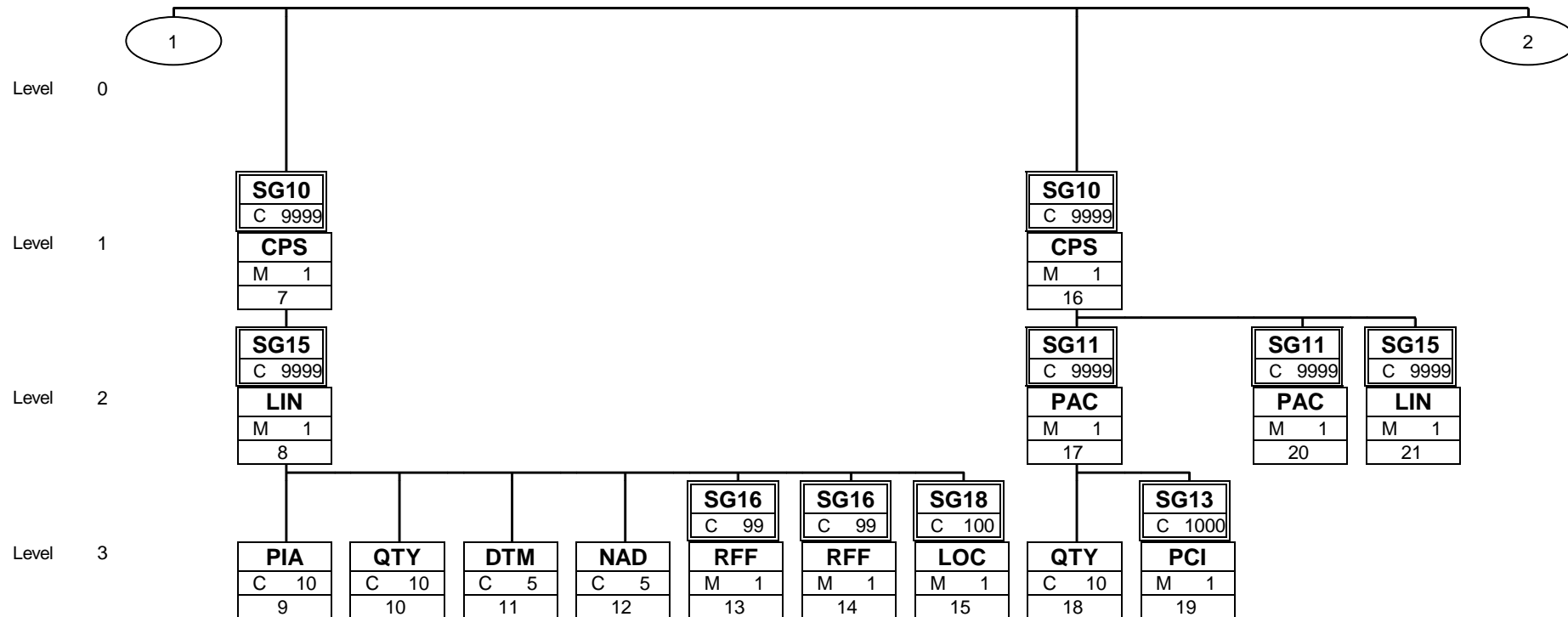


DESADV



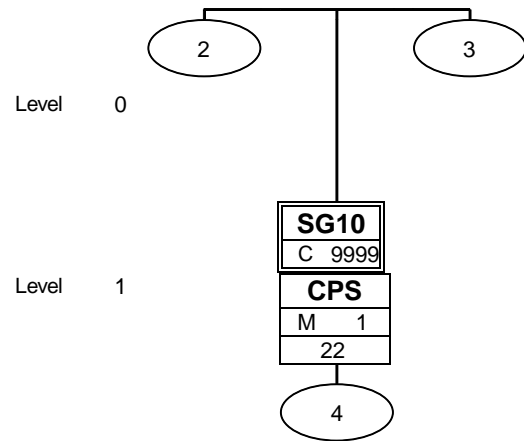
This is a branching diagram. Every variant of a segment or segment group described in the MIG appears exactly once in the application. The letters M and R characterise a 'mandatory' status, whereas O means optional. The letter D is used for 'dependent' and the dependency will be described in comments. The number on the right-hand side explains the maximum occurrence of this segment or segment group. The undermost number is the consecutive number of these segments within the guide.

DESADV



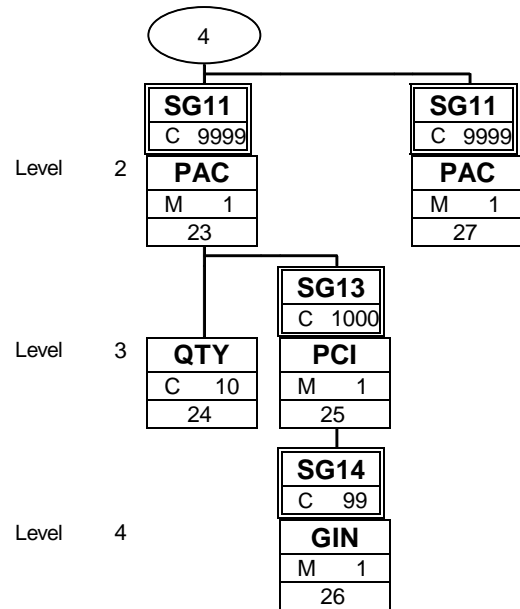
This is a branching diagram. Every variant of a segment or segment group described in the MIG appears exactly once in the application. The letters M and R characterise a 'mandatory' status, whereas O means optional. The letter D is used for 'dependent' and the dependency will be described in comments. The number on the right-hand side explains the maximum occurrence of this segment or segment group. The undermost number is the consecutive number of these segments within the guide.

DESADV



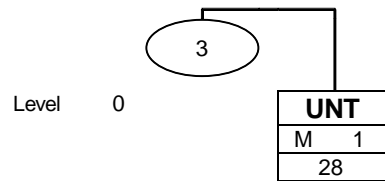
This is a branching diagram. Every variant of a segment or segment group described in the MIG appears exactly once. The letters M and R characterise a 'mandatory' application status, whereas O means optional. The letter D is used for 'dependent' and the dependency will be described in comments. The number on the right-hand side explains the maximum occurrence of this segment or segment group. The undermost number is the consecutive number of these segments within the guide.

DESADV



This is a branching diagram. Every variant of a segment or segment group described in the MIG appears exactly once. The letters M and R characterise a 'mandatory' application status, whereas O means optional. The letter D is used for 'dependent' and the dependency will be described in comments. The number on the right-hand side explains the maximum occurrence of this segment or segment group. The undermost number is the consecutive number of these segments within the guide.

DESADV



This is a branching diagram. Every variant of a segment or segment group described in the MIG appears exactly once. The letters M and R characterise a 'mandatory' application status, whereas O means optional. The letter D is used for 'dependent' and the dependency will be described in comments. The number on the right-hand side explains the maximum occurrence of this segment or segment group. The undermost number is the consecutive number of the segment within the guide.

DESADV

Segment: **UNH** Seq.No.: 1 Level: 0 MESSAGEHEADER
 Status: M Max.Occ.: 1

Name: MESSAGEHEADER

Description of segment:

EDIFACT			Application		
Tag	Name	St Format	St	Example	Use/Comments
0062	Messagereferencenumber	M an..14	M	+1	
S009	MESSAGEIDENTIFIER	M	M		
0065	Messageidentifier	M an..6	M	+DESADV	
0052	Messageversionnumber	M an..3	M	:D	
0054	Message releasenum	M an..3	M	:97A	
0051	Controllingagency	M an..2	M	:UN'	
0057	Associationassignedcode	C an..6	N		
0068	Commonaccessreference	C an..35	N		
S010	STATUSOFTHETRANSFER	C	N		
0070	Sequencemessagetransfer number	M n..2	N		
0073	First/lastsequencemessage transferindication	C a1	N		

Comment:

Example:
 UNH+1+DESADV:D:97A:UN'

DESADV

Segment: **BGM** Seq.No.: 2 Level: 0 BEGINNINGOFMESSAGE
 Status: M Max.Occ.: 1

Name: BEGINNINGOFMESSAGE

Descriptionofsegment:

EDIFACT			Application		
Tag	Name	St Format	St	Example	Use/Comments
C002	DOCUMENT/MESSAGENAME	C	C		
1001	Document/messagename, coded	C an..3	C	+351	
1131	Codelistqualifier	C an..3	N		
3055	Codelistresponsibleagency, coded	C an..3	N		
1000	Document/messagename	C an..35	N		
C106	DOCUMENT/MESSAGE IDENTIFICATION	C	C		
1004	Document/messagenumber	C an..35	C	+1234	IDofShipment
1056	Version	C an..9	N		
1060	Revisionnumber	C an..6	N		
1225	Messagefunction,coded	C an..3	C	+9'	
4343	Responsetype,coded	C an..3	N		

Comment:

Example:
 BGM+351+1234+9'

DESADV

Segment: **DTM** Seq.No.: 3 Level: 1 DATE/TIME/PERIOD
 Status: C Max.Occ.: 10

Name: DATE/TIME/PERIOD

Description of segment:

EDIFACT			Application		
Tag	Name	St Format	St	Example	Use/Comments
C507	DATE/TIME/PERIOD	M	M		
2005	Date/time/periodqualifier	M an..3	M	+137	
2380	Date/time/period	C an..35	C	:20030702	DateofShipment
2379	Date/time/periodformatqualifier	C an..3	C	:102'	

Comment:

Example:
 DTM+137:20030702:102'

DESADV

Group: **SG2** Status: C Max.Occ.: 10 NAD-LOC-SG3-SG4

Segment: **NAD** Seq.No.: 4 Level: 1 **NAMEANDADDRESS**
 Status: M Max.Occ.: 1

Name: NAMEANDADDRESS

Descriptionofsegment:

EDIFACT			Application		
Tag	Name	St Format	St	Example	Use/Comments
3035	Partyqualifier	M an..3	M	+BY	
C082	PARTYIDENTIFICATION DETAILS	C	C		
3039	Partyid.identification	M an..35	M	+12345	CustomerID
1131	Codelistqualifier	C an..3	N	:	
3055	Codelistresponsibleagency, coded	C an..3	C	:91'	
C058	NAMEANDADDRESS	C	N		
3124	Nameandaddressline	M an..35	N		
3124	Nameandaddressline	C an..35	N		
3124	Nameandaddressline	C an..35	N		
3124	Nameandaddressline	C an..35	N		
3124	Nameandaddressline	C an..35	N		
C080	PARTYNAME	C	N		
3036	Partyname	M an..35	N		
3036	Partyname	C an..35	N		
3036	Partyname	C an..35	N		
3036	Partyname	C an..35	N		
3036	Partyname	C an..35	N		
3045	Partynameformat,coded	C an..3	N		
C059	STREET	C	N		
3042	Streetandnumber/p.o.box	M an..35	N		
3042	Streetandnumber/p.o.box	C an..35	N		
3042	Streetandnumber/p.o.box	C an..35	N		
3042	Streetandnumber/p.o.box	C an..35	N		
3164	Cityname	C an..35	N		
3229	Countrysub-entityidentification	C an..9	N		
3251	Postcodeidentification	C an..9	N		
3207	Country,coded	C an..3	N		

Comment:

Example:

NAD+BY+12345::91'

DESADV

Group: **SG2** Status: C Max.Occ.: 10 NAD-LOC-SG3-SG4

Segment: **NAD** Seq.No.: 5 Level: 1 **NAMEANDADDRESS**
 Status: M Max.Occ.: 1

Name: NAMEANDADDRESS

Description of segment:

EDIFACT			Application		
Tag	Name	St Format	St	Example	Use/Comments
3035	Partyqualifier	M an..3	M	+SE	
C082	PARTYIDENTIFICATION DETAILS	C	C		
3039	Partyid.identification	M an..35	M	+ABCDE	SupplierID
1131	Codelistqualifier	C an..3	N	:	
3055	Codelistresponsibleagency, coded	C an..3	C	:92'	
C058	NAMEANDADDRESS	C	N		
3124	Nameandaddressline	M an..35	N		
3124	Nameandaddressline	C an..35	N		
3124	Nameandaddressline	C an..35	N		
3124	Nameandaddressline	C an..35	N		
3124	Nameandaddressline	C an..35	N		
C080	PARTYNAME	C	N		
3036	Partyname	M an..35	N		
3036	Partyname	C an..35	N		
3036	Partyname	C an..35	N		
3036	Partyname	C an..35	N		
3036	Partyname	C an..35	N		
3045	Partynameformat,coded	C an..3	N		
C059	STREET	C	N		
3042	Streetandnumber/p.o.box	M an..35	N		
3042	Streetandnumber/p.o.box	C an..35	N		
3042	Streetandnumber/p.o.box	C an..35	N		
3042	Streetandnumber/p.o.box	C an..35	N		
3164	Cityname	C an..35	N		
3229	Countrysub-entityidentification	C an..9	N		
3251	Postcodeidentification	C an..9	N		
3207	Country,coded	C an..3	N		

Comment:

Example:

NAD+SE+ABCDE::92'

DESADV

Group: **SG6** Status: C Max.Occ.: 10 TDT-PCD-SG7

Segment: **TDT** Seq.No.: 6 Level: 1 **DETAILSOFTRANSPORT**
 Status: M Max.Occ.: 1

Name: **DETAILSOFTRANSPORT**

Descriptionofsegment:

EDIFACT			Application		
Tag	Name	St Format	St	Example	Use/Comments
8051	Transportstagequalifier	M an..3	M	+25	IDofShipment
8028	Conveyancereferencenumber	C an..17	C	+1234	
C220	MODEOFTRANSPORT	C	C		
8067	Modeoftransport,coded	C an..3	C	+3	
8066	Modeoftransport	C an..17	C	:Road	
C228	TRANSPORTMEANS	C	N		
8179	Typeofmeansoftransport identification	C an..8	N	+	
8178	Typeofmeansoftransport	C an..17	N		
C040	CARRIER	C	C		
3127	Carrieridentification	C an..17	C	+CarrierCode	
1131	Codelistqualifier	C an..3	N	:	
3055	Codelistresponsibleagency, coded	C an..3	C	:92	
3128	Carriername	C an..35	C	: CarrierName'	
8101	Transitdirection,coded	C an..3	N		
C401	EXCESSTRANSPORTATION INFORMATION	C	N		
8457	Excesstransportationreason, coded	M an..3	N		
8459	Excesstransportation responsibility,coded	M an..3	N		
7130	Customerauthorizationnumber	C an..17	N		
C222	TRANSPORTIDENTIFICATION	C	N		
8213	Id.ofmeansoftransport identification	C an..9	N		
1131	Codelistqualifier	C an..3	N		
3055	Codelistresponsibleagency, coded	C an..3	N		
8212	Id.ofthemeansoftransport	C an..35	N		
8453	Nationalityofmeansof transport,coded	C an..3	N		
8281	Transportownership,coded	C an..3	N		

Comment:

Example:

TDT+25+1234+3:Road++CarrierCode::92:CarrierName'

DESADV

Group: **SG10** Status: C Max.Occ.: 9999 CPS-FTX-SG11-SG15

Segment: **CPS** Seq.No.: 7 Level: 1 **CONSIGNMENTPACKINGSEQUENCE**
 Status: M Max.Occ.: 1

Name: **CONSIGNMENTPACKINGSEQUENCE**

Descriptionofsegment:

EDIFACT			Application		
Tag	Name	St Format	St	Example	Use/Comments
7164	Hierarchicalid.number	M an..12	M	+1	Informationofdelivery
7166	Hierarchicalparentid.	C an..12	N	+	
7075	Packaginglevel,coded	C an..3	C	+4'	

Comment:

Example:
 CPS+1++4'

DESADV

Group: **SG10** Status: C Max.Occ.: 9999 CPS-FTX-SG11-SG15
Group: **SG15** Status: C Max.Occ.: 9999 LIN-PIA-IMD-MEA-QTY-ALI-GIN-GIR-DLM-DTM-NAD-TDT-HAN-FTX-MOA-SG16-SG17-SG18-SG19-SG20-SG23
Group: **SG18** Status: C Max.Occ.: 100 LOC-NAD-DTM-QTY
Segment: **LOC** Seq.No.: 15 Level: 3 **PLACE/LOCATIONIDENTIFICATION**
 Status: M Max.Occ.: 1

Name: PLACE/LOCATIONIDENTIFICATION

Description of segment:

EDIFACT			Application		
Tag	Name	St Format	St	Example	Use/Comments
3227	Place/locationqualifier	M an..3	M	+11	
C517	LOCATIONIDENTIFICATION	C	C		
3225	Place/locationidentification	C an..25	C	+00001	UnloadingPoint
1131	Codelistqualifier	C an..3	N	:	
3055	Codelistresponsibleagency, coded	C an..3	C	:92'	
3224	Place/location	C an..70	N		
C519	RELATEDLOCATIONONE IDENTIFICATION	C	N		
3223	Relatedplace/locationone identification	C an..25	N		
1131	Codelistqualifier	C an..3	N		
3055	Codelistresponsibleagency, coded	C an..3	N		
3222	Relatedplace/locationone	C an..70	N		
C553	RELATEDLOCATIONTWO IDENTIFICATION	C	N		
3233	Relatedplace/locationtwo identification	C an..25	N		
1131	Codelistqualifier	C an..3	N		
3055	Codelistresponsibleagency, coded	C an..3	N		
3232	Relatedplace/locationtwo	C an..70	N		
5479	Relation,coded	C an..3	N		

Comment:

Example:

LOC+11+00001::92'

DESADV

Group: **SG10** Status: C Max.Occ.: 9999 CPS-FTX-SG11-SG15

Segment: **CPS** Seq.No.: 16 Level: 1 **CONSIGNMENTPACKINGSEQUENCE**
 Status: M Max.Occ.: 1

Name: CONSIGNMENTPACKINGSEQUENCE

Descriptionofsegment:

EDIFACT			Application		
Tag	Name	St Format	St	Example	Use/Comments
7164	Hierarchicalid.number	M an..12	M	+2	ElementofPackingStructure(InnerPacking)
7166	Hierarchicalparentid.	C an..12	N	+	
7075	Packaginglevel,coded	C an..3	C	+1'	

Comment:

Example:
 CPS+2++1'

DESADV

Group: **SG10** Status: C Max.Occ.: 9999 CPS-FTX-SG11-SG15

Group: **SG11** Status: C Max.Occ.: 9999 PAC-MEA-QTY-SG12-SG13

Segment: **PAC** Seq.No.: 17 Level: 2 **PACKAGE**
 Status: M Max.Occ.: 1

Name: **PACKAGE**

Description of segment:

EDIFACT			Application		
Tag	Name	St Format	St	Example	Use/Comments
7224	Numberofpackages	C n..8	C	+1	
C531	PACKAGINGDETAILS	C	N		
7075	Packaginglevel,coded	C an..3	N	+	
7233	Packagingrelatedinformation,coded	C an..3	N		
7073	Packagingtermsand conditions,coded	C an..3	N		
C202	PACKAGETYPE	C	C		
7065	Typeofpackagesidentification	C an..17	C	+PMatInner	KOSTALMaterialnumberofInnerHandlingUnit
1131	Codelistqualifier	C an..3	N	:	
3055	Codelistresponsibleagency,coded	C an..3	C	:92'	
7064	Typeofpackages	C an..35	N		
C402	PACKAGETYPE IDENTIFICATION	C	N		
7077	Itemdescriptiontype,coded	M an..3	N		
7064	Typeofpackages	M an..35	N		
7143	Itemnumbertype,coded	C an..3	N		
7064	Typeofpackages	C an..35	N		
7143	Itemnumbertype,coded	C an..3	N		
C532	RETURNABLEPACKAGE DETAILS	C	N		
8395	Returnablepackagefreight paymentresponsibility,coded	C an..3	N		
8393	Returnablepackageload contents,coded	C an..3	N		

Comment:

Example:

PAC+1++PMatInner::92'

DESADV

Group: **SG10** Status: C Max.Occ.: 9999 CPS-FTX-SG11-SG15

Group: **SG11** Status: C Max.Occ.: 9999 PAC-MEA-QTY-SG12-SG13

Segment: **QTY** Seq.No.: 18 Level: 3 **QUANTITY**
 Status: C Max.Occ.: 10

Name: QUANTITY

Description of segment:

EDIFACT			Application		
Tag	Name	St Format	St	Example	Use/Comments
C186	QUANTITYDETAILS	M	M		
6063	Quantityqualifier	M an..3	M	+52	
6060	Quantity	M n..15	M	:10	Quantity
6411	Measureunitqualifier	C an..3	C	:PCE'	

Comment:

Example:

QTY+52:10:PCE'

DESADV

Group: **SG10** Status: C Max.Occ.: 9999 CPS-FTX-SG11-SG15

Group: **SG11** Status: C Max.Occ.: 9999 PAC-MEA-QTY-SG12-SG13

Segment: **PAC** Seq.No.: 20 Level: 2 **PACKAGE**
 Status: M Max.Occ.: 1

Name: **PACKAGE**

Description of segment:

EDIFACT			Application		
Tag	Name	St Format	St	Example	Use/Comments
7224	Numberofpackages	C n..8	C	+1	
C531	PACKAGINGDETAILS	C	C		
7075	Packaginglevel,coded	C an..3	C	+2	
7233	Packagingrelatedinformation,coded	C an..3	N		
7073	Packagingtermsand conditions,coded	C an..3	N		
C202	PACKAGETYPE	C	C		
7065	Typeofpackagesidentification	C an..17	C	+PHM01	KOSTALMaterialnumberofadditionalpacking
1131	Codelistqualifier	C an..3	N	:	
3055	Codelistresponsibleagency,coded	C an..3	C	:91'	
7064	Typeofpackages	C an..35	N		
C402	PACKAGETYPE IDENTIFICATION	C	N		
7077	Itemdescriptiontype,coded	M an..3	N		
7064	Typeofpackages	M an..35	N		
7143	Itemnumbertype,coded	C an..3	N		
7064	Typeofpackages	C an..35	N		
7143	Itemnumbertype,coded	C an..3	N		
C532	RETURNABLEPACKAGE DETAILS	C	N		
8395	Returnablepackagefreight paymentresponsibility,coded	C an..3	N		
8393	Returnablepackageload contents,coded	C an..3	N		

Comment:

Example:

PAC+1+2+PHM01::91'

DESADV

Group: **SG10** Status: C Max.Occ.: 9999 CPS-FTX-SG11-SG15

Segment: **CPS** Seq.No.: 22 Level: 1 **CONSIGNMENTPACKINGSEQUENCE**
 Status: M Max.Occ.: 1

Name: **CONSIGNMENTPACKINGSEQUENCE**

Descriptionofsegment:

EDIFACT			Application		
Tag	Name	St Format	St	Example	Use/Comments
7164	Hierarchicalid.number	M an..12	M	+3	ElementofPackingStructureforOuterpacking
7166	Hierarchicalparentid.	C an..12	N	+	
7075	Packaginglevel,coded	C an..3	C	+3'	

Comment:

Example:
 CPS+3++3'

DESADV

Group: **SG10** Status: C Max.Occ.: 9999 CPS-FTX-SG11-SG15

Group: **SG11** Status: C Max.Occ.: 9999 PAC-MEA-QTY-SG12-SG13

Segment: **PAC** Seq.No.: 23 Level: 2 **PACKAGE**
 Status: M Max.Occ.: 1

Name: **PACKAGE**

Description of segment:

EDIFACT			Application		
Tag	Name	St Format	St	Example	Use/Comments
7224	Numberofpackages	C n..8	C	+1	
C531	PACKAGINGDETAILS	C	N		
7075	Packaginglevel,coded	C an..3	N	+	
7233	Packagingrelatedinformation,coded	C an..3	N		
7073	Packagingtermsand conditions,coded	C an..3	N		
C202	PACKAGETYPE	C	C		
7065	Typeofpackagesidentification	C an..17	C	+PMatOuter	KOSTALMaterialnumberofOuterHandlingUnit
1131	Codelistqualifier	C an..3	N	:	
3055	Codelistresponsibleagency,coded	C an..3	C	:92'	
7064	Typeofpackages	C an..35	N		
C402	PACKAGETYPE IDENTIFICATION	C	N		
7077	Itemdescriptiontype,coded	M an..3	N		
7064	Typeofpackages	M an..35	N		
7143	Itemnumbertype,coded	C an..3	N		
7064	Typeofpackages	C an..35	N		
7143	Itemnumbertype,coded	C an..3	N		
C532	RETURNABLEPACKAGE DETAILS	C	N		
8395	Returnablepackagefreight paymentresponsibility,coded	C an..3	N		
8393	Returnablepackageload contents,coded	C an..3	N		

Comment:

Example:

PAC+1++PMatOuter::92'

DESADV

Group: **SG10** Status: C Max.Occ.: 9999 CPS-FTX-SG11-SG15

Group: **SG11** Status: C Max.Occ.: 9999 PAC-MEA-QTY-SG12-SG13

Segment: **QTY** Seq.No.: 24 Level: 3 **QUANTITY**
 Status: C Max.Occ.: 10

Name: QUANTITY

Description of segment:

EDIFACT			Application		
Tag	Name	St Format	St	Example	Use/Comments
C186	QUANTITYDETAILS	M	M		
6063	Quantityqualifier	M an..3	M	+1	
6060	Quantity	M n..15	M	:1	Quantity
6411	Measureunitqualifier	C an..3	C	:PCE'	

Comment:

Example:

QTY+1:1:PCE'

DESADV

Group: **SG10** Status: C Max.Occ.: 9999 CPS-FTX-SG11-SG15
Group: **SG11** Status: C Max.Occ.: 9999 PAC-MEA-QTY-SG12-SG13
Group: **SG13** Status: C Max.Occ.: 1000 PCI-RFF-DTM-GIR-SG14
Group: **SG14** Status: C Max.Occ.: 99 GIN-DLM
Segment: **GIN** Seq.No.: 26 Level: 4 **GOODSIDENTITYNUMBER**
 Status: M Max.Occ.: 1

Name: GOODSIDENTITYNUMBER

Descriptionofsegment:

EDIFACT			Application		
Tag	Name	St Format	St	Example	Use/Comments
7405	Identitynumberqualifier	M an..3	M	+ML	IDofHandlingUnitthatispackedinthisHU
C208	IDENTITYNUMBERRANGE	M	M		
7402	Identitynumber	M an..35	M	+S0001'	
7402	Identitynumber	C an..35	N		
C208	IDENTITYNUMBERRANGE	C	N		
7402	Identitynumber	M an..35	N		
7402	Identitynumber	C an..35	N		
C208	IDENTITYNUMBERRANGE	C	N		
7402	Identitynumber	M an..35	N		
7402	Identitynumber	C an..35	N		
C208	IDENTITYNUMBERRANGE	C	N		
7402	Identitynumber	M an..35	N		
7402	Identitynumber	C an..35	N		
C208	IDENTITYNUMBERRANGE	C	N		
7402	Identitynumber	M an..35	N		
7402	Identitynumber	C an..35	N		

Comment:

Example:

GIN+ML+S0001'

DESADV

Group: **SG10** Status: C Max.Occ.: 9999 CPS-FTX-SG11-SG15

Group: **SG11** Status: C Max.Occ.: 9999 PAC-MEA-QTY-SG12-SG13

Segment: **PAC** Seq.No.: 27 Level: 2 **PACKAGE**
 Status: M Max.Occ.: 1

Name: **PACKAGE**

Description of segment:

EDIFACT			Application		
Tag	Name	St Format	St	Example	Use/Comments
7224	Numberofpackages	C n..8	C	+1	
C531	PACKAGINGDETAILS	C	C		
7075	Packaginglevel,coded	C an..3	C	+2	
7233	Packagingrelatedinformation,coded	C an..3	N		
7073	Packagingtermsand conditions,coded	C an..3	N		
C202	PACKAGETYPE	C	C		
7065	Typeofpackagesidentification	C an..17	C	+PHM02	KOSTALMaterialnumberofadditionalpacking
1131	Codelistqualifier	C an..3	N	:	
3055	Codelistresponsibleagency,coded	C an..3	C	:92'	
7064	Typeofpackages	C an..35	N		
C402	PACKAGETYPE IDENTIFICATION	C	N		
7077	Itemdescriptiontype,coded	M an..3	N		
7064	Typeofpackages	M an..35	N		
7143	Itemnumbertype,coded	C an..3	N		
7064	Typeofpackages	C an..35	N		
7143	Itemnumbertype,coded	C an..3	N		
C532	RETURNABLEPACKAGE DETAILS	C	N		
8395	Returnablepackagefreight paymentresponsibility,coded	C an..3	N		
8393	Returnablepackageload contents,coded	C an..3	N		

Comment:

Example:

PAC+1+2+PHM02::92'

DESADV

Segment: **UNT** Seq.No.: 28 Level: 0 **MESSAGETRAILER**
 Status: M Max.Occ.: 1

Name: **MESSAGETRAILER**

Description of segment:

EDIFACT			Application		
Tag	Name	St Format	St	Example	Use/Comments
0074	Numberofsegmentsina message	M n..6	M	+28	
0062	Messagereferencenumber	M an..14	M	+1'	

Comment:

Example:
 UNT+28+1'

DESADV

Examplemessage

No.	Tag	Example
01	UNH	UNH+1+DESADV:D:97A:UN'
02	BGM	BGM+351+1234+9'
03	DTM	DTM+137:20030702:102'
	SG2	
04	NAD	NAD+BY+12345::91'
	SG2	
05	NAD	NAD+SE+ABCDE::92'
	SG6	
06	TDT	TDT+25+1234+3:Road++CarrierCode::92:CarrierName'
	SG10	
07	CPS	CPS+1++4'
	SG15	
08	LIN	LIN+1++66550000011311-01:BP::92+1:B'
09	PIA	PIA+1+TESTIDLIEF:VP'
10	QTY	QTY+12:1000:PCE'
11	DTM	DTM+11:20030705:102'
12	NAD	NAD+ST+001::92'
	SG16	
13	RFF	RFF+CT:551000000110'
	SG16	
14	RFF	RFF+AAK:12345678'
	SG18	
15	LOC	LOC+11+00001::92'
	SG10	
16	CPS	CPS+2++1'
	SG11	
17	PAC	PAC+1++PMatInner::92'
18	QTY	QTY+52:10:PCE'
	SG13	
19	PCI	PCI+17+S0001+1'
	SG11	
20	PAC	PAC+1+2+PHM01::91'
	SG15	
21	LIN	LIN+1++66550000011311-01:BP::92'
	SG10	
22	CPS	CPS+3++3'
	SG11	

DESADV

Examplemessage

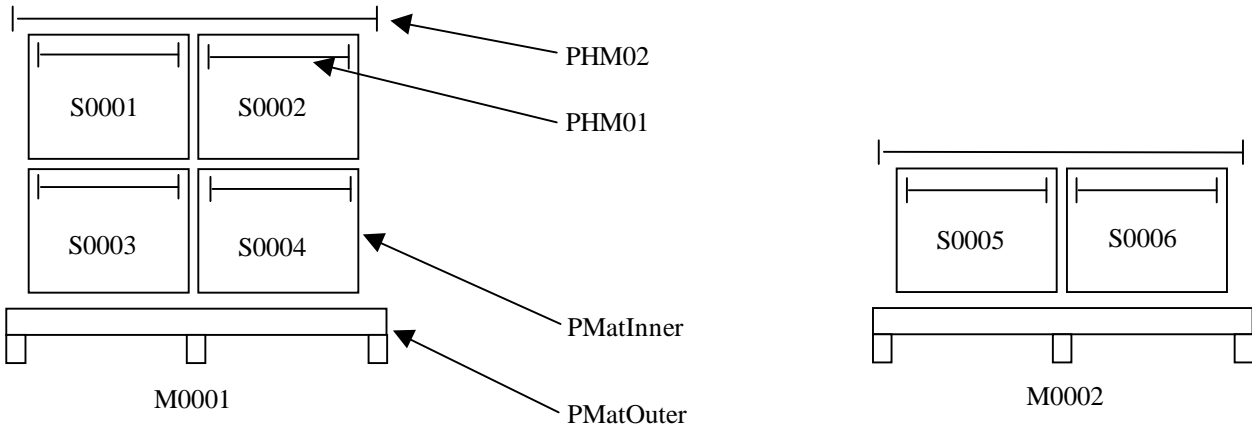
No.	Tag	Example
23	PAC	PAC+1++PMatOuter:::92'
24	QTY	QTY+1:1:PCE'
	SG13	
25	PCI	PCI+17+M0001+1'
	SG14	
26	GIN	GIN+ML+S0001'
	SG11	
27	PAC	PAC+1+2+PHM02:::92'
28	UNT	UNT+28+1'

DESADV

ExtendedExample:

1	UNH	UNH+1+DESADV:D:97A:UN'
2	BGM	BGM+351+1234+9'
3	DTM	DTM+137:20030702:102'
4	NAD	NAD+BY+12345::91'
5	NAD	NAD+SE+ABCDE::92'
<u>6TDTTDT+25+1234+3:Road++Car rierCode::92:CarrierName'</u>		
7	CPS	CPS+1++4'
8	LIN	LIN+1++66550000011311-01:BP::92+1:B'
9	PIA	PIA+1+TESTIDLIEF:VP'00
10	QTY	QTY+12:1000:PCE'
11	DTM	DTM+11:20030705:102'
12	NAD	NAD+ST+001::92'
13	RFF	RFF+CT:551000000110'
14	RFF	RFF+AAK:12345678'
<u>15LOCLCLOC+11+00001::92'</u>		
16	CPS	CPS+2++1'
17	PAC	PAC+1++PMatInner::92'
18	QTY	QTY+52:10:PCE'
19	PCI	PCI+17+S0001+1'
20	PCI	PCI+17+S0002+1'
21	PCI	PCI+17+S0003+1'
22	PCI	PCI+17+S0004+1'
23	PCI	PCI+17+S0005+1'
24	PCI	PCI+17+S0006+1'
25	PAC	PAC+6+2+PHM01::91'
<u>26LINLIN+1++66550000011311-01:BP::92'</u>		
27	CPS	CPS+3++3'
28	PAC	PAC+1++PMatOuter::92'
29	QTY	QTY+1:1:PCE'
30	PCI	PCI+17+M0001+1'
31	GIN	GIN+ML+S0001'
32	GIN	GIN+ML+S0002'
33	GIN	GIN+ML+S0003'
34	GIN	GIN+ML+S0004'
<u>35PACPAC+1+2+PHM02::92'</u>		
36	CPS	CPS+3++3'
37	PAC	PAC+1++PMatOuter::92'
38	QTY	QTY+1:1:PCE'
39	PCI	PCI+17+M0002+1'
40	GIN	GIN+ML+S0005'
41	GIN	GIN+ML+S0006'
<u>42PACPAC+1+2+PHM02::92'</u>		
43	UNT	UNT+43+1'

DESADV



Allboxescontainsamematerial:66550000011311-01